



2nd Gen Dual 1080P Dash Cam Manual

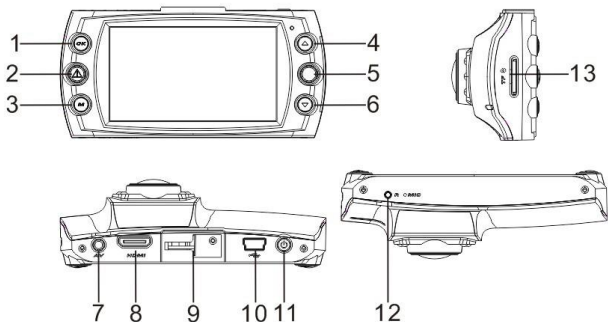


Part #: TDCAMDUAL2

Product Manual

Description of Appearance and Button Functions

Diagram on Buttons



- | | | | |
|---------------------|------------------|---------------|------------|
| 1. OK | 2. Emergency key | 3. Menu | 4. Page Up |
| 5. Car Stand Port | 6. Page Down | 7. AV IN | 8. HDMI |
| 9. Car Stand Port | 10. USB PORT | 11. Power Key | 12. Reset |
| 13. SD/TF card slot | | | |

Description of Button Functions

1. <Power> Button

Function 1: Power on/off

To power on device by press the Power Button shortly. Video recording automatically activated after device switched on. To power off device, press

the Power Button for 3 seconds. Last video have been saved before device switched off.

Function 2: Backlight

In power-on state, press <Power> to disable the backlight of the screen, and press any button to resume the backlight of the screen.

2. <Menu> Button

Function 1: Menu button

To enter menu and setting, shortly press the Menu button under standby mode. Press the Page Up/Down buttons for selecting; Press OK button to confirm. Shortly press the Menu button to exit.

(Video Mode, Photographic Mode, Playback mode with same operation)

[Tips] Under standby mode, press Menu button can switch between different menus, for example: setting of resolution or setting of system.

Function 2: Mode switching function

In standby mode, press and hold Menu button, it can be choose from video recording, photograph and playback mode.

3. <Up> button

Function 1: Page up

Function as Page Up key at the menu and playback interface.

Function 2: Motion detection technology

In standby mode, press and hold<Up>for three seconds to switch to the motion detection mode. Press and hold<Up>for three seconds again, to exit.

Function: Camera switching

After you insert an external rear camera, the lower part of the screen displays a camera icon, indicating that the analog camera is identified. Press <Up>to switch among three display modes: front camera, back camera and picture-in-picture.

Function 4: fast backward

In playback mode, press <Up> to play backward fast.

4. Page Down

Function 1): Page Down

Function as Page Down in the menu and playback interface.

Function 2): Audio Recording On/Off

For not recording audio into video, press the Page Down button while

recording. Microphone sign at the bottom right corner shows banded, meaning audio switched off. Press Page Down again to activate.

Function 3): Fast Forward

Function as video fast forward in the playback mode.

5. <OK> Button

Function 1: Video recording or photographing.

In standby state, press <OK> to enter the video recording mode, and press <OK> again to stop video recording. In photograph mode, press <OK> to begin to take photos.

Function 2: Confirm, play, pause

In the menu setting or playback mode, press <OK> to confirm, play or pause.

Function 3: Switching of display pictures

In powered on state, press and hold <OK> to switch between the full-screen mode and normal-screen mode.

6. <Reset> button

If the DVR is crashed, press <Reset> to restart the DVR.

8. <Park> button

Function 1: a button as the function of parking

Press <park> button shortly, it will show a “P” on the screen, it means the dvr is in the parking mode. Press <Park> button to exit.

Function 2: Switching

In the interface of setting time, the <park> button can be switched at year, month, date, hour, minute and second.

9. <Locking> button

In video recording mode, press <Menu> shortly, it will show a picture of a lock in the left bottom of the screen. And it means the video will be saved in the TF card and never be covered. The name of these video will be begin with “ZW”.

Note: In the playback mode, those videos with a picture of a lock are the locked videos.

Operation Guide

I. Installing the Dash Cam

1. Power off the automobile engine.
2. Insert the TF card into the TF card slot.(may already be inside Dash Cam)
[Note] Please use a high-speed TF card (Class 6 or above) with a minimum capacity of 4GB and a maximum of 32 GB.
3. Fasten the bracket of recorder adsorption on the car's windshield
4. Insert the in-vehicle charger into the cigar lighter of the automobile, and insert the USB connector to the DVR.
5. Install the rear camera in the back of the automobile in a correct direction.
Cables can be routed along the automobile ceiling. After completing the installation, connect the rear connector to the AV interface of the DVR.



Please install the external camera in the middle
of car plate with screws

7. Reposition the camera lens, keeping the camera lens level with the ground.

8. Start up the engine and check whether the DVR is mounted properly.

[Note] When the DVR is installed properly, the system working indicator is turned on; after the DVR is started to enter the recording state, the video recording indicator blinks. Check whether the pictures in the screen are normal.

Function Description

1. Automatic Recording

After you start up the automobile engine, the DVR is automatically started and the recording function is enabled. In addition, the charging indicator is turned on and the video recording indicator blinks. After you turn off the automobile engine, the DVR saves the recorded content automatically and is powered off. The recorded images are saved segment by segment in the TF card. When the TF card saves recorded images at full capacity, the DVR overwrites the early recorded images.

[Note] The time segment for recording can be set to 2, 3, 5, or Disabled in a menu.

b. The video recording data for the front camera and the rear camera are saved in the DCIMA folder and the DCIMB folder respectively in the TF card.

2. Manual Recording

Press and hold <Power> for three seconds. Then, the DVR is started and begins to record automatically, and the video recording indicator is turned on and blinks. Press and hold <Power> for three seconds. Then, the DVR automatically saves the recording data and is powered off.

3. Photographing Function

In powered on state, switch to the photographing mode. Then, the icon in the upper left of the screen is changed from a video camera to a still camera. You can press <OK> to take photos. To switch back to the video recording mode, press <Mode> again.

4. Motion Detection

In standby state, press and hold <Up> for three seconds to enter the motion detection mode. If the lens senses a moving object peripherally, the DVR enters the video recording state. If the lens senses no moving object within 10 seconds, the DVR stops video recording. To exit the motion detection mode, press and hold <Up> for three seconds.

[Prompt] The setting will be saved automatically. After powering on the DVR again, you do not need to set the function again.

5. Collision Sensing

The DVR is fitted with a built-in collision sensor (G-sensor). In case of severe vehicle collision, the DVR locks the image data generated 10 seconds before and 20 seconds after the accident and the lower left of the screen displays a lock icon. The locked image data is separately saved as a special file, and this video file will not be overwritten cyclically.

[Prompt] 1. The name of the locked video recording file starts with “ZW”, and the name of an ordinary recording file starts with “AW”.

2. The G-sensor supports sensitivity adjustment. You can change the sensitivity settings as needed in the setting menu.

6. One Button to Lock

The DVR provides a one-button-to-lock function. Therefore, the desired image data can be locked without being overwritten cyclically. During the video recording, press <Menu> to lock this segment of image data.

7. Date and Time Setting

In standby state, press <Menu> three times to enter the system setting menu. Press <Up> or <Down> to choose to <Set the date> option. Press <OK> to confirm the date, and enter <Setting> menu.

[Note] Press <Up> or <Down> to adjust the time, <Switch> to switch to the next item. To effectively record the date and time of obtaining the evidence of traffic accidents, set a correct date and time before using the DVR.

8. One Button to Mute

In the powered on state, press <Down> Then, the microphone icon in the lower left of the screen is changed into a Forbid icon, indicating that the video recording & audio recording synchronization function is enabled. At this time, the DVR only records images, but not sounds. Press <Down> again. Then, the Forbid icon in the lower part of the screen is removed, indicating that the video recording & audio recording synchronization function is restored.

[Prompt] The setting will be saved automatically. After powering on the DVR again, you do not need to set the mute function again.

9. USB Mode

Connect the DVR to a PC by a USB cable. Then, the screen displays three optional modes: Disk, Camera, and Charging. Press <Up> or <Down> to select <Disk> option. Press <OK> to enter the USB flash disk mode.

[Prompt] When using a PC to copy a video file, you are recommended to use a card reader to copy the video recording file in the TF card to the PC.

10. Playback of Recording File

Switch to the playback mode in the standby state. Press <Up> or <Down> to find the desired file, and press <OK> to play back the file.

Technical Specifications

Built-in Imaging Sensor	1 Megapixel
Resolution of Rear Camera	VGA/720P (optional)
Angle of View	130° wide angle
Resolution Rate of Video recording	1080P and 720P
Storage compression mode	H.264
Video format	MOV
Resolution Rate of Photographing	2048×1536
Photo Format	JPG
Frame Rate	25 FPS
Storage Temperature	-20°C to 70°C
Operating Temperature:	-10°C to 60°C
Operating Humidity	15% to 65% (RH)
Capacity of Memory Card	4 GB to 32 GB
Standard Voltage	USB 5V

* This product retained design and specification right to change without prior notice.

This Dash cam is under warranty for 12 months from you're the date of your purchase. All returns must be accompanied by proof of purchase.

Manufacturer warrants to original purchaser that the product finished hereunder shall be free from defects in material and workmanship under normal use and service. In the event of any defect in material or workmanship, the Manufacturer will for twelve (12) months from the date of delivery of product to purchaser, F.O.B. point of origin replace any defective parts in respect to the product or replace the product with new or like new product at Manufacturers option. In the event of a defect, return the product in tact to the Manufacturer (shipping to Manufacturer will be paid by purchaser) with evidence of purchase date within last 12 months for proper handling of the warranty claim.

What is Not Covered:

- Defects or damage resulting from use of products in other than it normal and customary manner
- Defective or damage from misuse, accident, water or neglect
- Scratches or cosmetic damage that does not affect operation of the product
- Product damage or bodily injury

General Provisions: This warranty is given in lieu of all other express warranties, implied warranties, including without limitation, implied warranties or merchantability and fitness for a particular purpose, are limited to the duration of this limited warranty, in no event shall the Manufacturer or seller be liable for damages in excess of the purchase price of the product



Top Dawg Electronics

13630 Immanuel Rd, Ste E • Pflugerville, TX 78660

512.251.8472 • www.topdawgelectronics.com