



**Package Contents:**

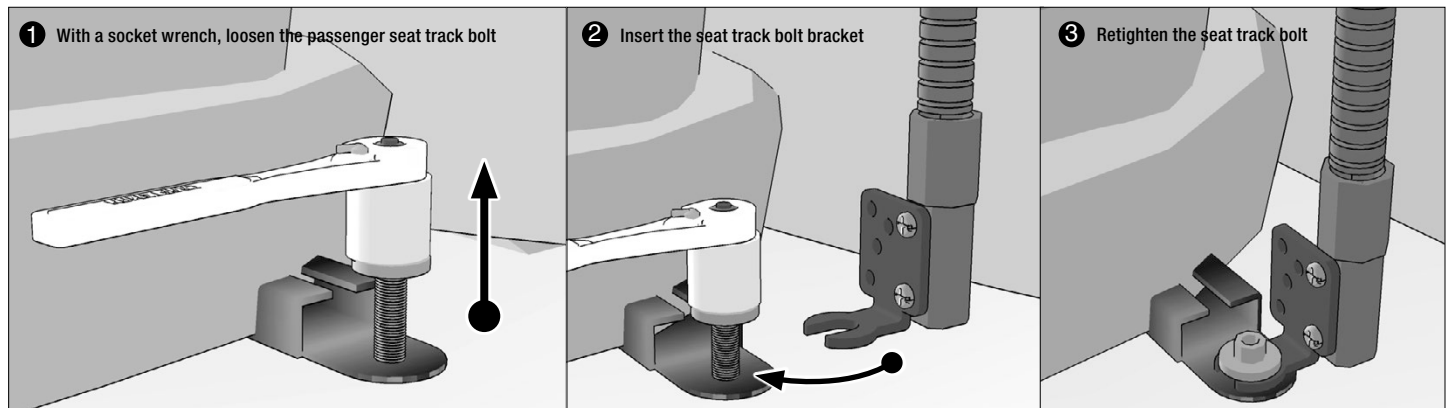
- (1) **GN088-SBH** – 18" Flexible Aluminum Seat Rail or Floor Mount
- (1) **TAB001** – Slim-Grip® Universal Tablet Holder

**⚠ Do not place mount in or near an air bag deployment zone or where it will obstruct view of the road.**

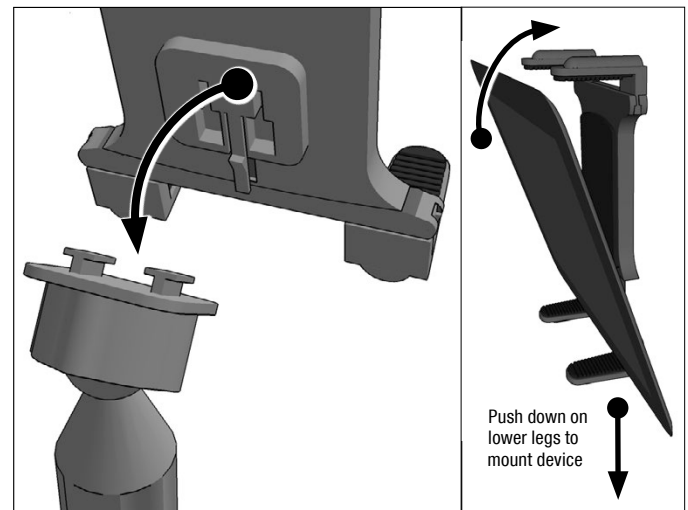
The Slim-Grip Universal Tablet Holder fits all tablets with 8.9" - 18.4" screen size. It includes 4 short, 2 medium, and 4 long support legs. Select a combination of 4 support legs in conjunction for use with the spring-loaded holder to achieve the perfect fit for your tablet.

**Passenger Seat Bolt Mounting**

For a simple mount that can be easily moved to another vehicle, install using the passenger seat track bolt.



Attach the tablet holder to the mount and insert tablet.



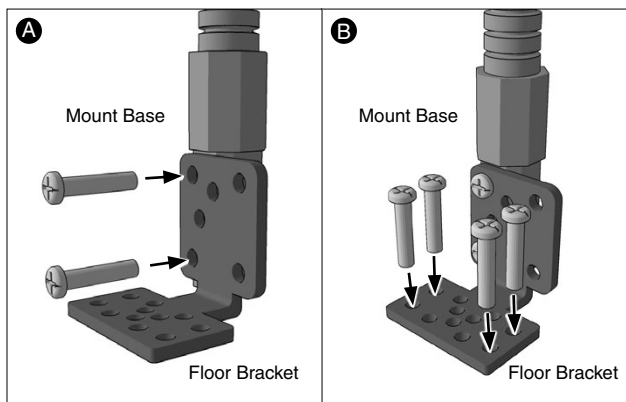
**Alternative Floor or Console Mounting**

For a more permanent mount, connect the floor / console mount bracket to the floor or console. This will require drilling into your vehicle's interior surface.

**⚠** Drilling into the dash, floor, or console will permanently damage the vehicle. Use caution and consult a mobile install professional to avoid drilling into the gas tank, electrical system or other highly sensitive vehicle components.

Fig. A Screw the mount bracket to the mount. Depending on your vehicle, you may need to change the orientation of the bracket.

Fig. B Attach the floor / console bracket with screws.



**Optional:** Attach included metal conduit to console to minimize vibration.

