

PYRAMID[®] **Gold Series**

**REGULATED DC
POWER SUPPLY**

MODEL: PS-14K

INSTRUCTION MANUAL

GENERAL SPECIFICATIONPAGE 2.
SCHEMATIC DIAGRAMPAGE 3.
OPERATION MANUAL & CAUTIONPAGE 4.

GENERAL SPECIFICATIONS

MODEL NO.: PS-14K

ELECTRICAL:

(A-1) INPUT RATING.

INPUT VOLTAGE: 105-125VAC (115V NORMAL)

INPUT LINE FREQUENCY: 60Hz.

INPUT POWER: 270W MAX.

(A-2) OUTPUT RATING.

OUTPUT VOLTAGE: 13.8VDC \pm 0.3V

OUTPUT CURRENT: 12 AMP CONSTANT / 14 AMP SURGE.

OUTPUT RIPPLE: 150mV RMS

(A-3) REGULATION.

LOAD REGULATION: 2.5% (280mV)

(NOTE : INPUT AT 115VAC AND OUTPUT AT 12AMP)

(A-4) PROTECTION.

INPUT LINE: GLASS TUBE FUSE 4.0 AMP 250V.

OVER-LOAD PROTECTION: +10~15% (AUTO RESET).

OVER TEMPERATURE PROTECTION.

(A-5) WARNING/DEVICES.

THIS UNIT IS WELL BUILT WITH A WARNING/SHUT DOWN FUNCTION.
THE WARNING/SHUT DOWN FUNCTION WILL WORK UNDER THE
FOLLOWING UNUSUAL STATUS:

- 1) THIS UNIT IS USED OVER 15 MINUTES AT 100% OF RATED LOAD.
- 2) THIS UNIT IS USED OVER 25 MINUTES AT 80% OF RATED LOAD.
- 3) THE OUTPUT OF THIS UNIT IS SHORT-CIRCUITED/OVER LOAD/OVER TEMPERATURE

NOTES:

- 1) IF THE WARNING/SHUT DOWN FUNCTION IS CAUSED BY THE ABOVE ITEMS # 1 AND 2 THEN THIS UNIT WILL RETURN TO NORMAL STATE WHEN THE WARNING/SHUT DOWN FUNCTION CONTINUES TO WORK ABOUT 15-30 MINUTES.
 - 2) THIS UNIT IS INTENDED TO CONTINUOUSLY WORK AT 70% OF RATED LOAD
- DESCRIPTION OF THE WARNING/SHUT DOWN FUNCTION:
- STEP 1. THE OUTPUT SHUT DOWN.
 - STEP 2. BUZZER WORKS.
 - STEP 3. GREEN LED OF NORMAL OFF.
 - STEP 4. RED LED OF PROTECTION BLINKING.

(A-6) EFFICIENCY: 60% MIN. (INPUT AT 115VAC AND OUTPUT AT 12 AMP)

(A-7) DESIGN: LINEAR TYPE.

(A-8) OPERATING TEMPERATURE: 0 TO +40 DEG C.

(A-9) STORAGE TEMPERATURE: -25 TO +70 DEG C.

MECHANICAL:

(B-1) DIMENSIONS: 200mm \times 182mm \times 120mm. (L \times W \times H)

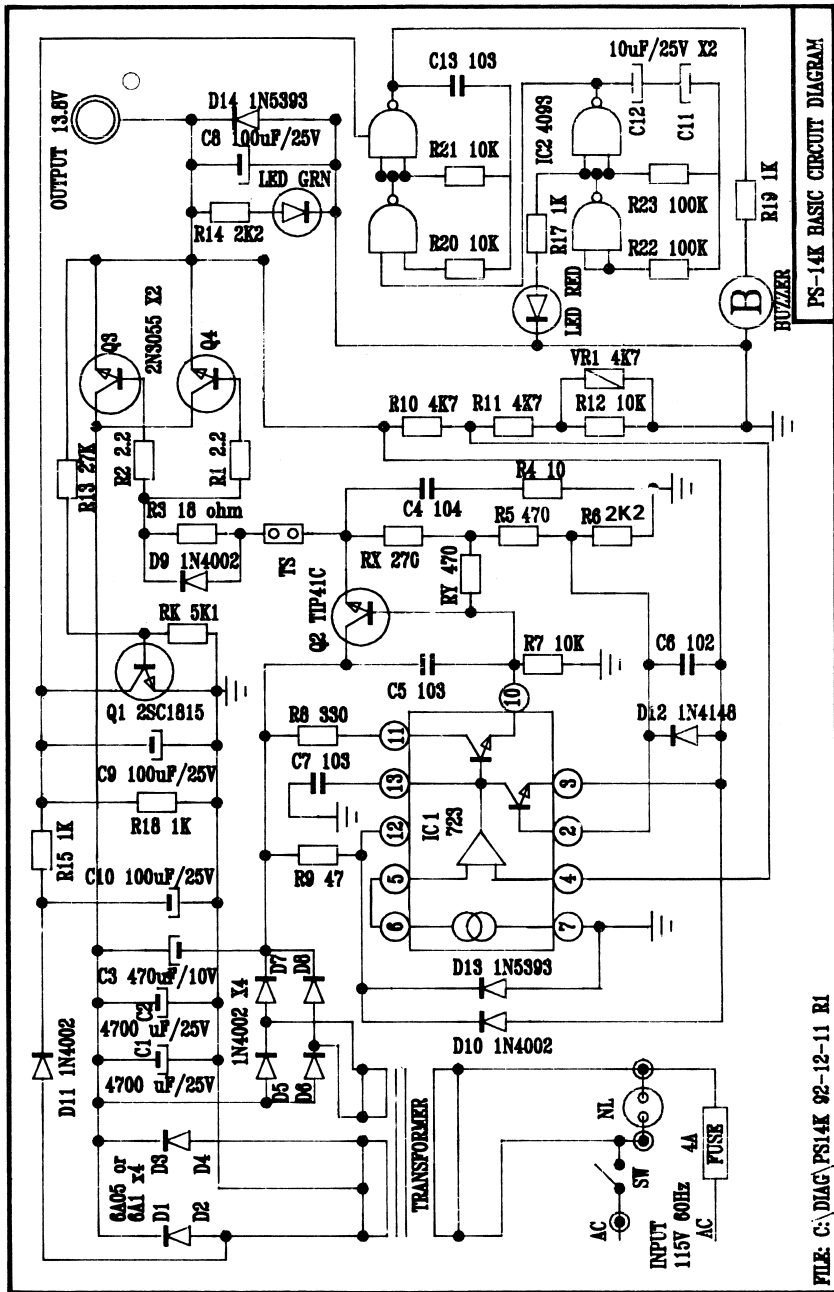
(B-2) WEIGHT: 4.3KGS

(B-3) ENCLOSURE: METAL / BLUE.

(B-4) INPUT CABLE: SPT-2 6FT 18AWG \times 2C W / 1-15P-P PLUG.

(B-5) OUTPUT TERMINAL: BINDING POST, 10A / 125V.

(B-6) POWER SWITCH: ILLUMINATED, 15A / 125VAC.



PS-14K BASIC CIRCUIT DIAGRAM

FILE: C:\DIAG\PS14K 92-12-11 RI

OPERATION:

1. INSERT AC POWER PLUG INTO A 110V VOLT AC OUTLET.
2. CONNECT THE POWER CORD OF YOUR EQUIPMENT (13.5V-14.1VDC) TO THE OUTPUT BINDING POST TERMINALS ON THE FRONT OF THE UNIT. BE SURE THAT POLARITY IS CORRECT. THE RED POSITIVE(+) TERMINAL AND BLACK NEGATIVE(-) TERMINAL ARE MARKED, REVERSAL OF POLARITY MAY DAMAGE YOUR EQUIPMENT.
3. TURN SWITCH TO "ON", RED LIGHT IN SWITCH & GREEN LED WILL BE ILLUMINATED.
4. THE INPUT POWER IS PROTECTED BY THE FUSE WHICH IS LOCATED AT THE REAR OF THE UNIT AND CAN BE REPLACED BY UNSCREWING THE FUSE HOLDER IF THE FUSE IS BURNT OUT. DO NOT USE A FUSE LARGER THAN 4.0 AMP. USE OF HEAVIER FUSE MAY RESULT IN DAMAGING TO THIS UNIT.
5. THIS UNIT HAS ELECTRONIC OVER LOAD PROTECTION WITH INSTANT AUTOMATIC RESET FUNCTION. IF OUTPUT IS OVERLOADED. THE OUTPUT POWER WILL AUTOMATICALLY SHUT OFF. RELEASE POWER CORD OF YOUR EQUIPMENT FROM THE OUTPUT TERMINALS AND CHECK THE ACTUAL POWER RATING OF YOUR EQUIPMENT. THIS UNIT WILL AUTOMATICALLY RESET INSTANTLY.

CAUTIONS:

1. DO NOT USE WITH EQUIPMENT REQUIRING MORE THAN RATING AMPS.
2. DO NOT USE OUTDOORS. DO NOT EXPOSE UNIT TO RAIN, MOISTURE, WATER OR ANY OTHER LIQUIDS.
3. DO NOT REMOVE COVER IN ANY CASE. RETURN TO DEALER FOR REPAIR IF DAMAGED.
4. THIS UNIT HAS A SPECIAL BUILT-IN FEATURE THAT WILL SHUT THE UNIT DOWN IF MARKED AMPERAGE IS EXCEEDED. THIS WILL AVOID BURN-OUT OF YOUR EQUIPMENT AND OF UNIT. IF UNIT DOES CONSISTENTLY SHUTDOWN. THIS MEANS YOU ARE DRAWING TOO MUCH AMPERAGE. RETURN UNIT TO PLACE OF PURCHASE AND UPGRADE TO NEXT AVAILABLE UNIT OFFERING HIGHER AMPERAGE. PLEASE DO NOT BYPASS OR ALTER THIS CIRCUIT AS IT IS THERE TO PROTECT YOU. ANY ALTERATION OF MISUSE WILL VOID YOUR WARRANTY.

"DANGER"

HIGH VOLTAGE

REFER TO QUALIFIED TECHNICIAN FOR SERVICE.