

TRUCK MICROWAVE OVEN

MW SERIES - 120 V



DC/AC POWER INVERTERS



700 W
0.7 ft³ / 20 L

SLEEK AND PRACTICAL STYLING

Designed with practicality in mind, this elegant 0.7 ft³ microwave is meant to be used in a sleeper truck environment. Its compact size allows for a perfect fit in most sleeper cabinets, and its user-friendly controls let you heat up your favorite meals and snacks quickly and efficiently.

FITS MOST SLEEPER CABINETS



KEY FEATURES

- Compact size to fit most sleeper cabinets
- Compatible with most power inverters
- Elegant finish with stainless-steel accents
- User-friendly control panel
- Removable glass turntable

MSRP: \$148.00

GUARANTEED TO WORK ON TUNDRA INVERTERS (1500 W & UP)



M SERIES
MODIFIED SINE WAVE
1500 W, 2500 W,
2000 W, 3000 W



S SERIES
PURE SINE WAVE
1800 W, 2500 W,
3000 W

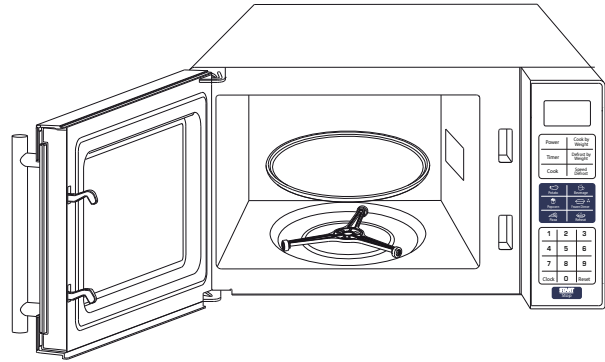


TRUCK MICROWAVE OVEN

MW SERIES - 120 V



DC/AC POWER INVERTERS



FEATURES

- Vibration resistant
- Compatible with most sleeper trucks
- Compatible with most power inverters
- Guaranteed to work on Tundra inverters (1500 W & up)
- 6 auto-cook programs
- Defrost & cook by weight
- 10 power levels
- Timer function

SPECIFICATIONS

- Model MW700
- Part number TUN850001
- Capacity 0.7 ft³ / 20 L
- Input power 120 V / 60 Hz
- Cooking power 700 W
- Maximum consumption 1100 W
- Display type LED display + Child lock
- Certification UL / CSA approved
- Warranty One year

DIMENSIONS

- Dimensions (L × H × W)
17.9 × 10.4 × 14.0 in (12.6 in w/o handle)
45.5 × 26.4 × 35.6 cm (32.0 cm w/o handle)
- Shipping dimensions (L × H × W)
19.5 × 11.5 × 15.0 in
49.5 × 29.2 × 38.1 cm
- Weight
23.4 lb / 10.6 kg
- Shipping weight
26.0 lb / 11.8 kg

