

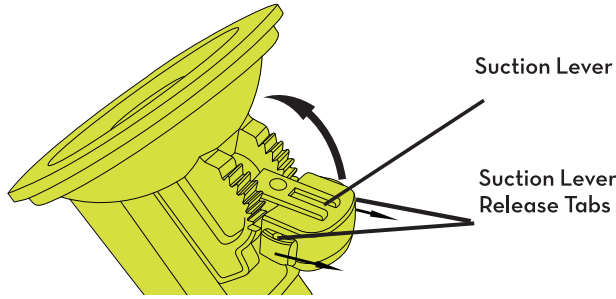
IMPORTANT NOTE

PLEASE READ INSTRUCTIONS COMPLETELY BEFORE INSTALLING THIS MOUNT KIT

MOUNTING AND ADJUSTMENT

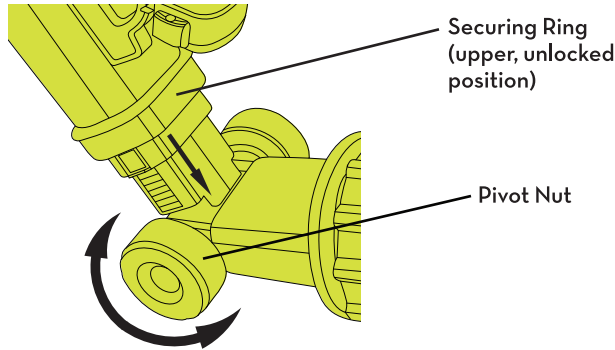
Mounting:

Press the suction cup against the desired glass surface. Press down the suction lever to secure the mount to the glass. To release the mount pull back on the suction lever release tabs.



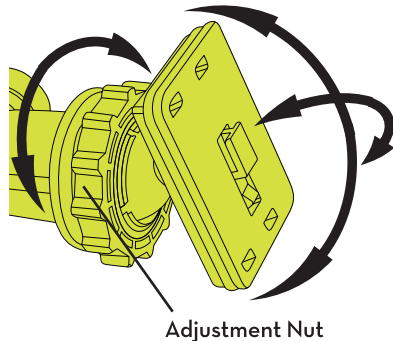
Neck Adjustment:

Make sure the Securing Ring is in the upper position. The neck can now be extended. Slide the Securing Ring down to lock the extension. Loosen the rubber Pivot Nut to adjust the neck angle. Tighten the Pivot Nut at the desired angle.



Head Adjustment:

Loosen the Adjustment Nut to adjust the head freely. Tighten to secure.

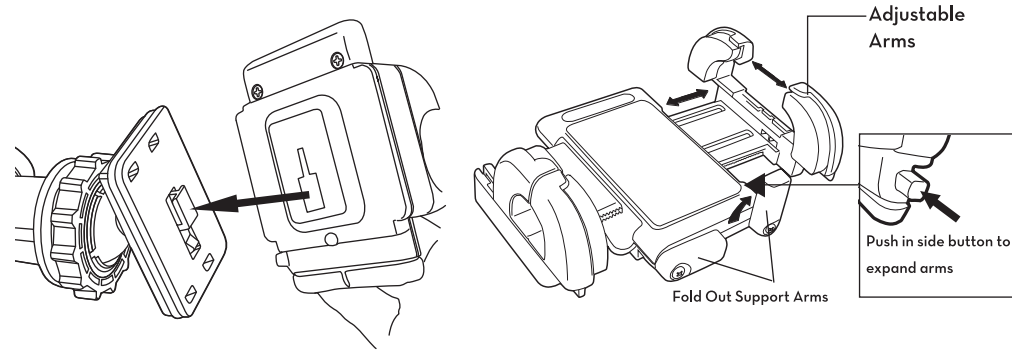


Note: Do not overtighten the Adjustment Nut.

IMPORTANT!

DO NOT RETURN PRODUCT TO THE RETAILER
IF YOU NEED ASSISTANCE OR REPLACEMENT PARTS
CALL US TOLL FREE: 1-866-237-4443
HOURS MON-FRI 9AM-5PM(CT)

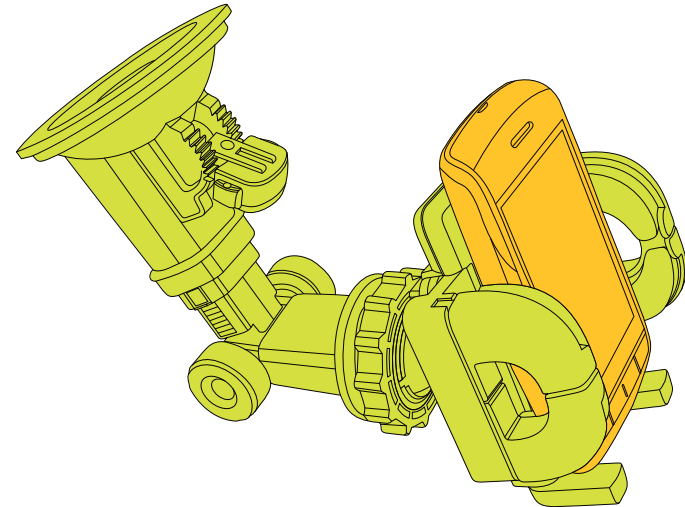
GRIP-IT MOUNTING AND ADJUSTMENT



Place the Grip-It over the T-Notch and slide it down securing it to the mount.

Expand the Grip-It arms using the side button. Insert your device and squeeze the arms back in to secure the device.

OVERVIEW



LIMITED WARRANTY

Limitation on Warranty and Claims. SELLER WARRANTS THAT THE GOODS SOLD AND DELIVERED BY THE SELLER TO THE BUYER SHALL BE FREE FROM DEFECTS IN WORKMANSHIP AND MATERIAL UNDER NORMAL USE AND SERVICE FOR A PERIOD OF ONE (1) YEAR FROM THE DATE OF DELIVERY. THIS WARRANTY IS EXPRESSLY IN LIEU OF ALL OTHER WARRANTIES, EXPRESS OR IMPLIED, WHETHER STATUTORY OR OTHERWISE, INCLUDING ANY IMPLIED WARRANTY OF MERCHANTABILITY OR FITNESS FOR A PARTICULAR PURPOSE. Seller's liability for breach of warranty shall arise only upon the return of the defective parts at the buyer's expense after notice to the seller of claimed breach and shall be limited to furnishing a like quantity of such goods free from such defects or, at the seller's option to refund the purchase price. Notice to the seller of claimed defects discoverable by inspection must be given within ten (10) days after receipt of shipment. In no event shall the seller be liable to the buyer for indirect, incidental, collateral or consequential damages of any kind. The buyer indemnifies the seller, its successors and assigns from and against any and all losses, damages and expenses (including reasonable attorney's fees) which the seller may sustain or incur as a result of any claim of negligence, breach of warranty or strict liability in tort in connection with the use of the goods furnished hereunder, except such as may be wholly caused by the negligence of the seller.