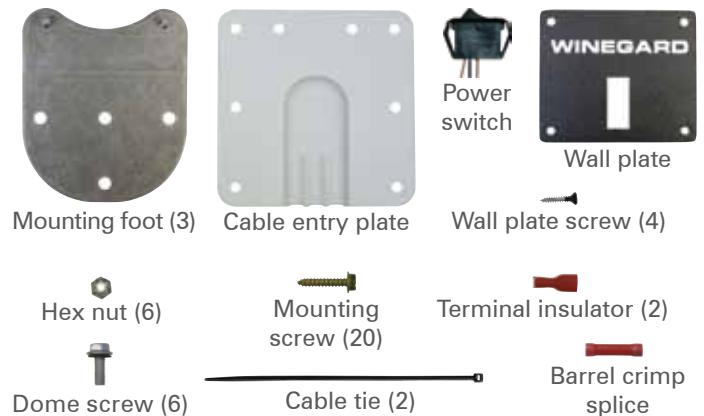


# Roof Mount Kit Model RK-2000

For a complete list of compatible antennas, visit [www.winegard.com/roofkit](http://www.winegard.com/roofkit)

For help, email [help@winegard.com](mailto:help@winegard.com)  
or call 1-800-788-4417

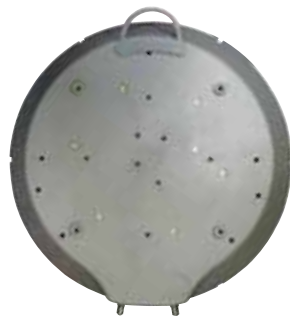


## Installing the Mounting Feet

1. If the handle has been installed on the antenna, remove the screws holding the handle to the antenna with a Phillips screwdriver, and remove the handle.
2. Using a Phillips screwdriver, loosen and remove the feet from the bottom of the antenna.



Bottom of antenna (before)



Bottom of antenna (after),  
handle and feet removed

3. Remove the dome screws with a Phillips screwdriver, and remove the dome.
4. Remove the two nuts holding the eyelet to the base with a 3/8 socket wrench, and remove the eyelet.
5. Insert the two threaded posts on a mounting foot through the two holes from which the eyelet was removed, and thread a hex nut onto each post.
6. Locate the other holes for the remaining two mounting feet; once installed, the mounting feet should be equally spaced around the base. Insert the two threaded posts on the other two mounting feet through the corresponding holes in the base, and thread a hex nut onto each post.



Bottom of antenna,  
eyelet removed



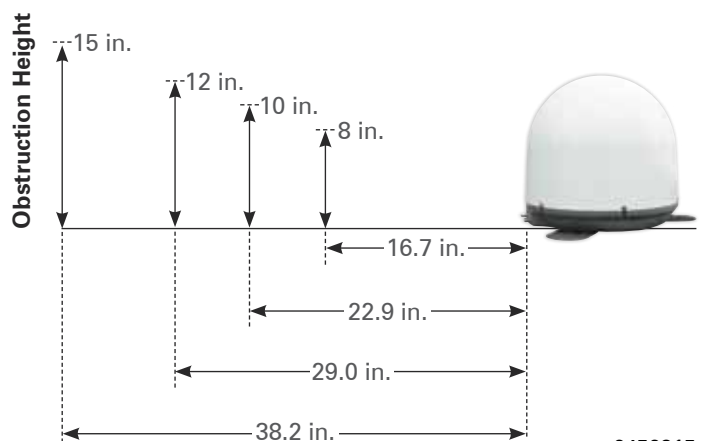
Bottom of antenna,  
mounting feet installed

7. Using a 3/8" socket wrench, tighten all hex nuts holding the mounting feet to the base.
8. Place the dome back onto the base.
9. Align the holes in the dome with the holes in the base, making sure that the antenna decal is centered above the holes where the handle was previously installed.
10. *If installing the antenna on an RV*, use either the dome screws that were removed earlier or the provided dome screws, and insert a dome screw through each aligned hole. Tighten.

*If installing the antenna on a semi-truck*, use the provided dome screws, and insert a dome screw through each aligned hole. Tighten.

## Installing the Antenna

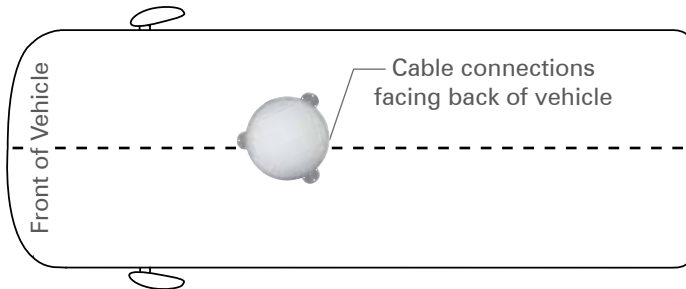
1. Do not attempt to install the antenna in the rain or under any wet conditions. Install in dry conditions only.
2. For best performance and to reduce signal acquisition time, park the vehicle on a level surface that is free of obstructions such as trees or large buildings. Make sure you have a clear view of the southern sky.
3. Select a level spot on your roof for installation. Level the base front-to-back and side-to-side. If the base is not level, the antenna may require more time to locate the correct satellite or may not locate the correct satellite.
4. Ensure proper distance to other rooftop equipment is maintained. Be sure no roof-mounted equipment is blocking the satellite "line of sight"; see clearance requirements below.



**Min. Distance to be Maintained from Antenna**

2452315  
Rev2 2-15

- After selecting a location for the antenna, make sure that the centerline of the antenna is on or parallel to the centerline of the vehicle; the centerline of the antenna runs through the point between the two feet where cable connections are located.
- Position the antenna with cables exiting toward the rear of the vehicle.



- To ensure proper installation, check that the distance from the edge of the roof to any foot is at least twelve inches.
  - Place the unit on the roof in its permanent location, and mark around each base foot.
  - Clean the roof area where the base feet will attach to the roof; do not erase your marks.
  - Check with your vehicle manufacturer for approved sealant, and put approved sealant in the areas marked for the base feet. Place the base feet on top of the sealant.
  - Before using the supplied mounting screws, check with your vehicle manufacturer for any special screw requirements. Screw down with four screws for each foot. After all base feet are secured to the roof, put sealant around the edge of feet and over screws.
  - Decide the best location for cables to enter the vehicle. Consider the location of the power switch (if applicable) and receiver(s).
- TIP** The power switch and power cable will not be used with the Pathway X1 antenna.
- If the antenna requires connection to a 12V power source via a power cable, cut off the power cord 12V plug.
  - Drill a hole in the roof for the cables, and push the wires inside, making sure the cables are accessible from the area where the power switch (if applicable) and/or receiver(s) will be located.
  - Connect a coax cable from the "Satellite in" port of the primary receiver to the main port on the antenna. If connecting the antenna to two receivers, connect a second coax cable (not provided) to the secondary port on the antenna.
  - If there is a power socket on the antenna base, connect one end of the power cable to the power socket on the antenna base.
  - Place the provided cable entry plate over the hole and cables. Screw the plate in place with eight mounting screws. Seal the plate and screw holes with approved sealant (not included).
  - Secure excess cable with the provided cable ties. Securing every 12–16" should eliminate any unnecessary cable movement.

## Installing the Power Switch

If the antenna has a power socket on the base, proceed with installing the power switch. If the antenna is powered through the receiver and does not have a power socket on the base or power cord, the power switch does not need to be installed.



Antenna with power socket



Antenna without power socket

### **TIP** The power switch and power cable will not be used with the Pathway X1 antenna.

- Make sure "WINEGARD", "OFF", and "ON" are all facing upwards, and push the power switch through the hole in the wall plate. The power switch should snap into place.
- Choose a location to install the power switch. Be sure the switch is in the "OFF" position before continuing.
- For a wall or panel mount, drill a 1¼" hole, and pull wires through the wall or panel.
- The 12V power plug should already have been cut off of the supplied power cord (see step 13 of previous section). Then, strip the jacket to expose the black and red wires.
- Strip both the red and black wires 1/8" back.
- Connect the 12V power wire from the vehicle to a red terminal insulator. Then, connect the terminal insulator to the spade that lines up with the marked "OFF" side of the power switch.
- Connect the red wire from the antenna power cord to a red terminal insulator. Then, connect the terminal insulator to the spade that lines up with the marked "ON" side of the power switch.
- Slide the ground wire from the vehicle into one end of the barrel crimp splice, and slide the black ground wire from the antenna into the opposite end of the splice. Crimp the splice.
- Mount the wall plate with the four supplied wall plate screws.

Disclaimer: Although every effort has been made to ensure that the information in this manual is correct and complete, no company shall be held liable for any errors or omissions in this manual. Information provided in this manual was accurate at time of printing. If the antenna does not function as expected, please contact Winegard Company at [help@winegard.com](mailto:help@winegard.com) or 1-800-788-4417, or visit our website at [www.winegard.com](http://www.winegard.com).

Winegard and Pathway are registered trademarks of Winegard Company.